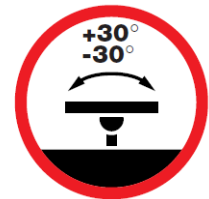
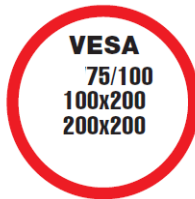
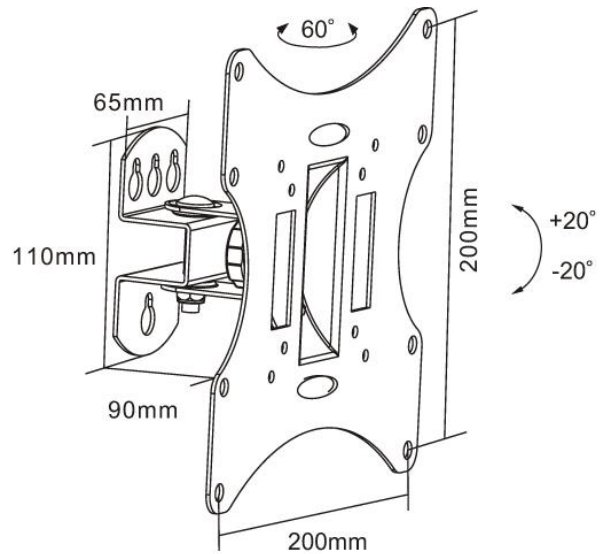


reflecta FLEXO 40-100 (silver) & FLEXO 40-100B (black)



Product information:

- Universal full motion wall mount for TVs
- Max loading weight 30 kg
- 10 – 40" (25 -102 cm)
- Vesa: 75x75, 100x100, 100x200, 200x200
- Distance to wall: max 90mm
- Tilt: +/-20°
- Swivel: +/-30°

Art.-Nr.: 23107 (silver) & 23110 (black)

EAN: 4005039231070 (silver) &
4005039231100 (black)

Specifications subject to change without notice.



reflecta gmbh

Merkurstrasse 8

D 72184 Eutingen

Phone: +49 (0) 7457 9465-60

Fax: +49 (0) 7457 9465-72

e-mail: mail@reflecta.de

http: www.reflecta.de