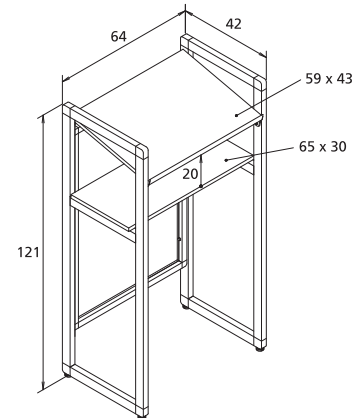


Meeting Lectern



- Sturdy lectern with a perforated front.
- The Meeting has an angled upper shelf with a raised edge and a convenient lower shelf for other presentation necessities.
- Sturdy steel frame powder coated in dark grey (RAL 7021) with light grey shelves (RAL 7035) or beech shelves.
- Fitted with adjustable feet for maximum stability.
- Easy to assemble.



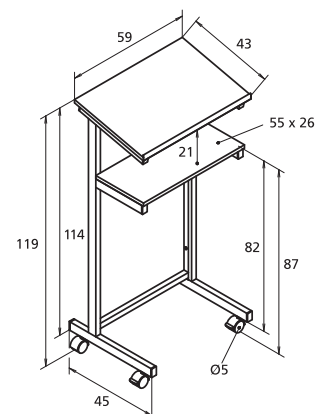
Dimensions and
product codes on

103

Classic Lectern



- Portable lectern with closed front.
- The Classic has an angled upper shelf with a raised edge and a convenient lower shelf for other presentation necessities.
- Available in a white frame (RAL 9016) with light grey shelves (RAL 7035) or a dark grey frame (RAL 7021) with beech shelves.
- Fitted with adjustable feet for maximum stability.
- The closed front is suitable for displaying your company logo.
- Easy to assemble.



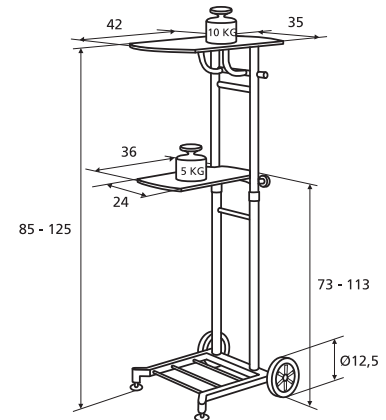
Dimensions and
product codes on

103

StandMaster I



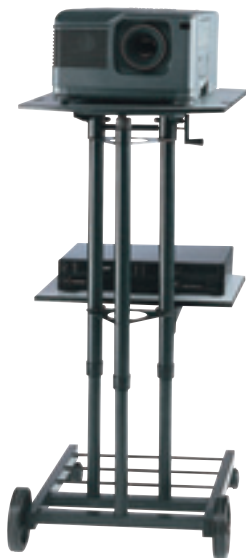
- High quality, portable projector table for professional projection presentations at any desired location.
- The StandMaster I is a robust and reliable projector table with a streamlined design and easy to operate.
- Easy, infinite height adjustment with built-in pneumatic spring.
- The StandMaster I features two foldaway shelves for projector and notebook. The lower shelf can also be rotated and is height adjustable.
- The sturdy steel frame is powder coated in dark grey (RAL 7021) and the shelves are light grey (RAL 7035). The large, heavy duty wheels measure 12.5 cm in diameter.
- Easy to assemble.
- An optional black Skirting Kit is available for the StandMaster.



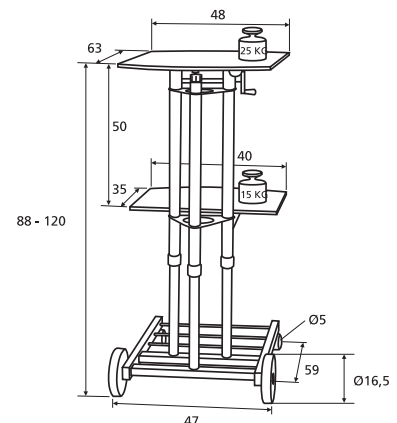
Dimensions and product codes on

103

StandMaster II



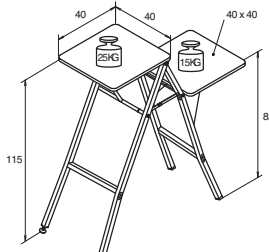
- Robust, portable projector table suitable for larger projectors.
- The StandMaster II is a robust and sturdy projector table which is designed to be easy to operate.
- Infinite height adjustment with crank mechanism.
- The large upper shelf is inclinable to an angle of 15 degrees and the large lower shelf can be detached or moved.
- Large wheels in front and casters to the rear provide optimum maneuverability.
- The sturdy steel frame is powder coated in dark grey (RAL 7021) and the shelves are light grey (RAL 7035). The extra large, heavy duty wheels measure 16.5 cm in diameter.
- Easy to assemble.
- An optional black Skirting Kit is available for the StandMaster.



Dimensions and product codes on

103

Gigant



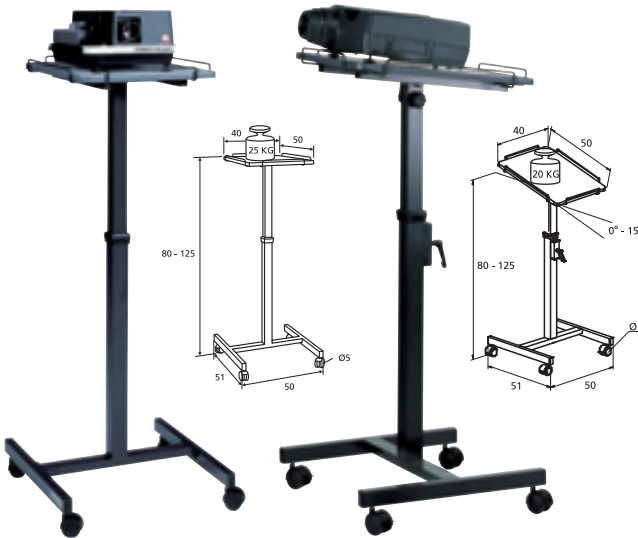
- Sturdy and robust projector table with two shelves at different heights.
- The Gigant has two adjustable feet for extra stability.
- Both the upper shelf and the lower shelf can be folded away and the upper shelf is inclinable.
- The sturdy steel frame is powder coated in dark grey (RAL 7021) and the shelves are light grey (RAL 7035).
- Immediately ready for use.



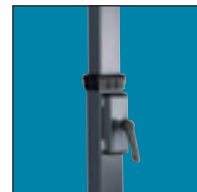
Dimensions and product codes on

103

Solo 8000 / 9000



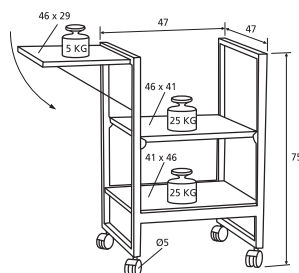
- The Solo 8000 features a fixed upper shelf, while the upper shelf on the Solo 9000 is inclinable.
- The edges on the upper shelf are raised and there is also an extra rail to protect the projector.
- The height of the Solo 8000 can be adjusted using star knobs and the height of the Solo 9000 is infinitely adjustable.
- Four casters for easy transportation.
- The sturdy steel frame is powder coated in dark grey (RAL 7021) and the shelves are light grey (RAL 7035).
- Easy to assemble.



Dimensions and product codes on

103

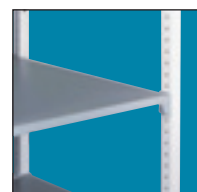
Universo 1000



- The most popular overhead projector table with two height adjustable shelves.
- Suitable for all overhead projectors.
- Four casters for easy maneuverability.
- The sturdy steel frame is powder coated in white (RAL 9016) and the shelves are light grey (RAL 7035).
- Easy to assemble.

Accessories

- Middle shelf, height adjustable
11820004 Light grey
- Side shelf
11820003 Light grey



Dimensions and product codes on

103