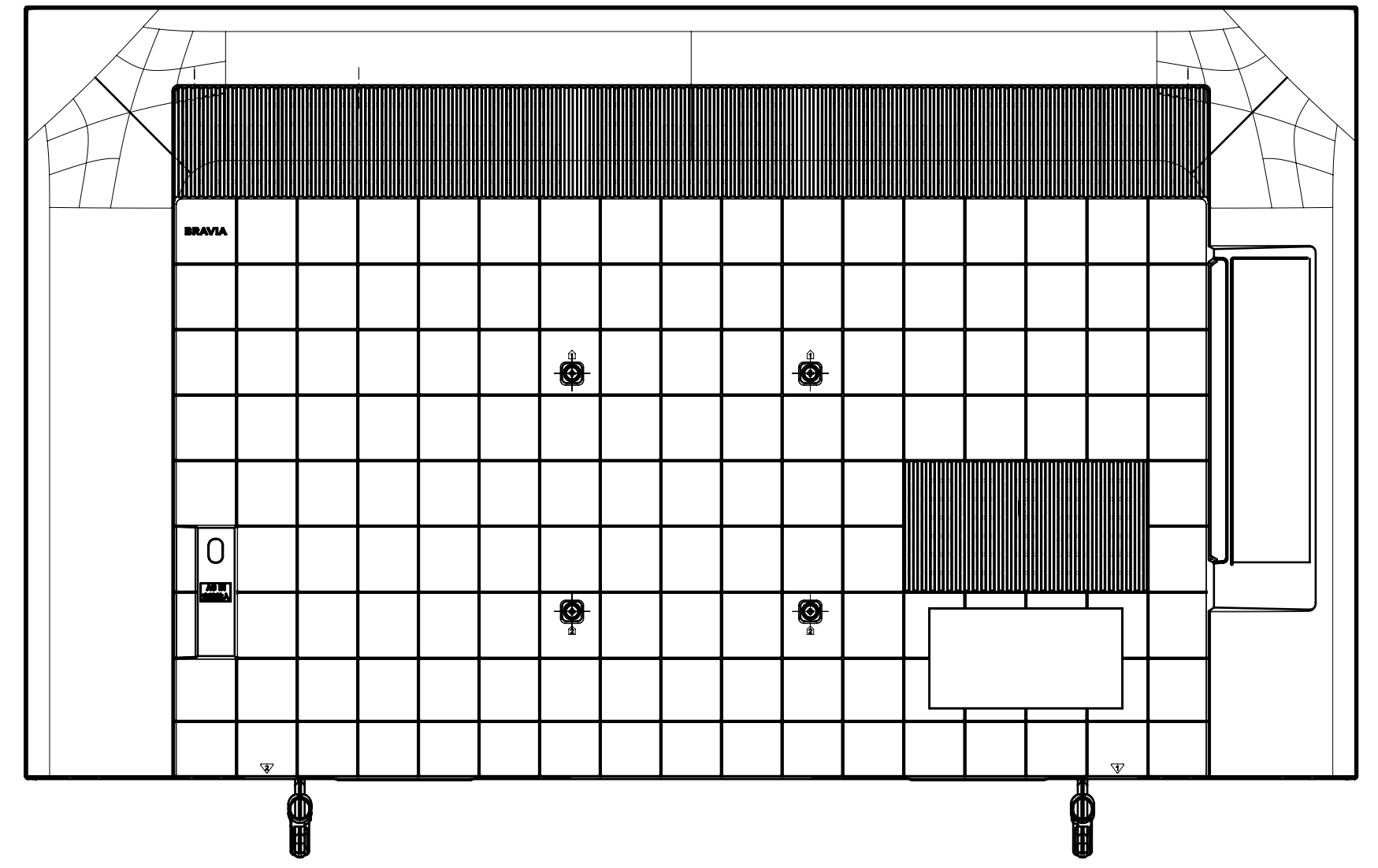
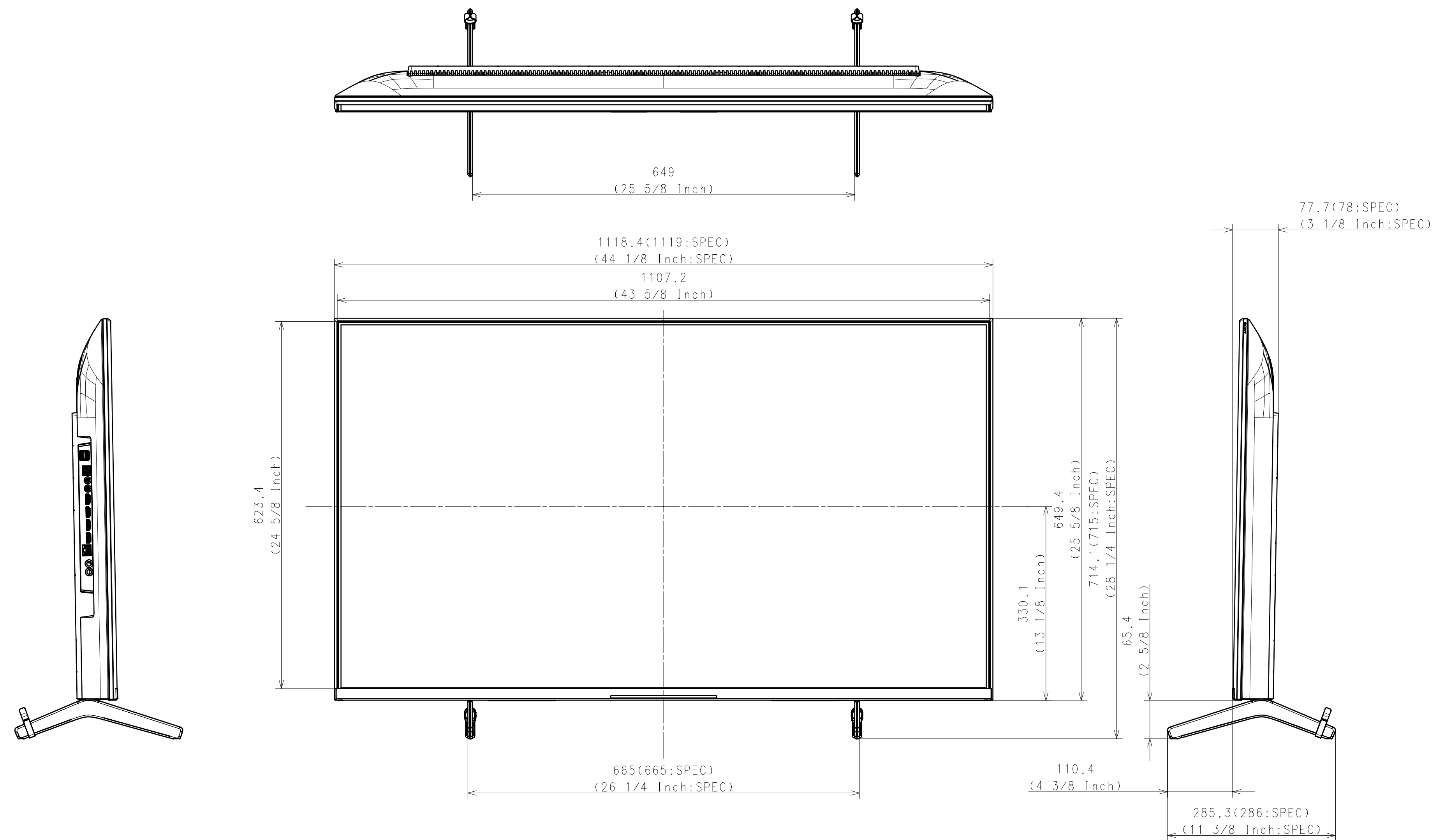


Area	JAPAN	NORTH AMERICA	EUROPE	GENERAL AREA	CHINA	
Model Name	FW-50BZ35J	FW-50BZ35J	FW-50BZ35J	FW-50BZ35J	FW-50BU35J	
SV No.	SV-39157	SV-39032	SV-39088	SV-39087	SV-39103	
DIMENSION	TV only (W x H x D)	111.9 x 64.9 x 7.0 cm	1119 x 649 x 70 mm / 44 1/8 x 25 5/8 x 2 7/8 inch	Approx. 111.9 x 64.9 x 7.0 cm	Approx. 1119 x 649 x 70 mm	Approx. 1119 x 649 x 70 mm
	TV with Stand (Standard position) (W x H x D)	111.9 x 71.5 x 28.6 cm	1119 x 715 x 286 mm / 44 1/8 x 28 1/4 x 11 3/8 inch	Approx. 111.9 x 71.5 x 28.6 cm	Approx. 1119 x 715 x 286 mm	Approx. 1119 x 715 x 286 mm
	TV with Stand (Narrow position) (W x H x D)	-	-	-	-	-
	TV with Stand (Soundbar position) (W x H x D)	-	-	-	-	-
	TV with Floor Stand (W x H x D)	-	-	-	-	-
	Stand Width (Standard position)	66.5 cm	665 mm / 26 1/4 inch	Approx. 66.5 cm	Approx. 665 mm	Approx. 665 mm
	Stand Width (Narrow position)	-	-	-	-	-
	Stand Width (Soundbar position)	-	-	-	-	-
WEIGHT	TV Only	12.7 kg	12.7 kg / 28 lb	Approx. 12.7 kg	Approx. 12.7 kg	Approx. 12.7 kg
	TV with Stand (Standard position)	13.3 kg	13.3 kg / 29.3 lb	Approx. 13.3 kg	Approx. 13.3 kg	Approx. 13.3 kg
	TV with Stand (Narrow position)	-	-	-	-	-
	TV with Stand (Soundbar position)	-	-	-	-	-
	TV with Floor Stand	-	-	-	-	-
	Floor Stand weight (Supply)	-	-	-	-	-
	W-M't Br. Weight (Supply)	-	-	-	-	-
Remarks						

WITH STAND

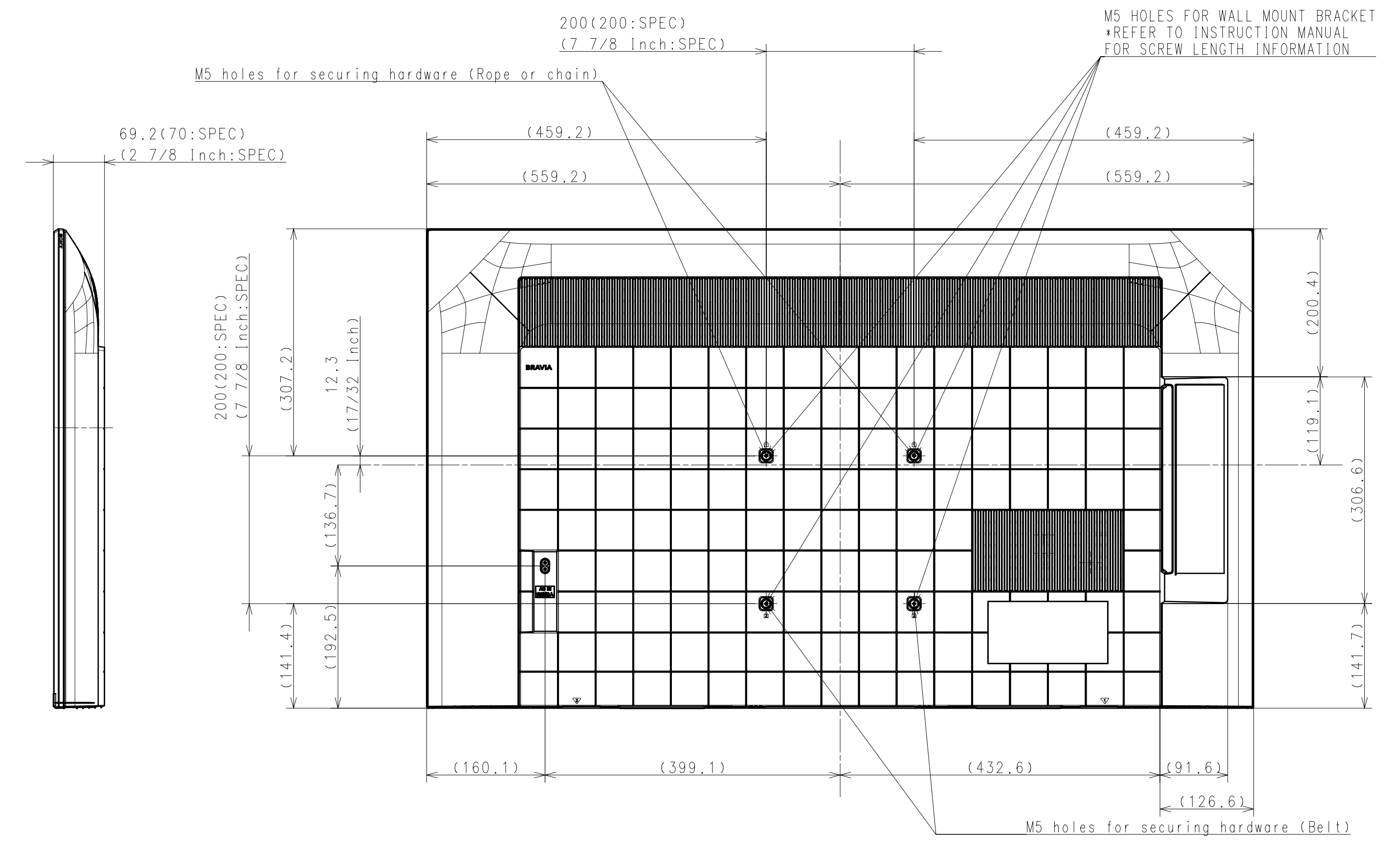
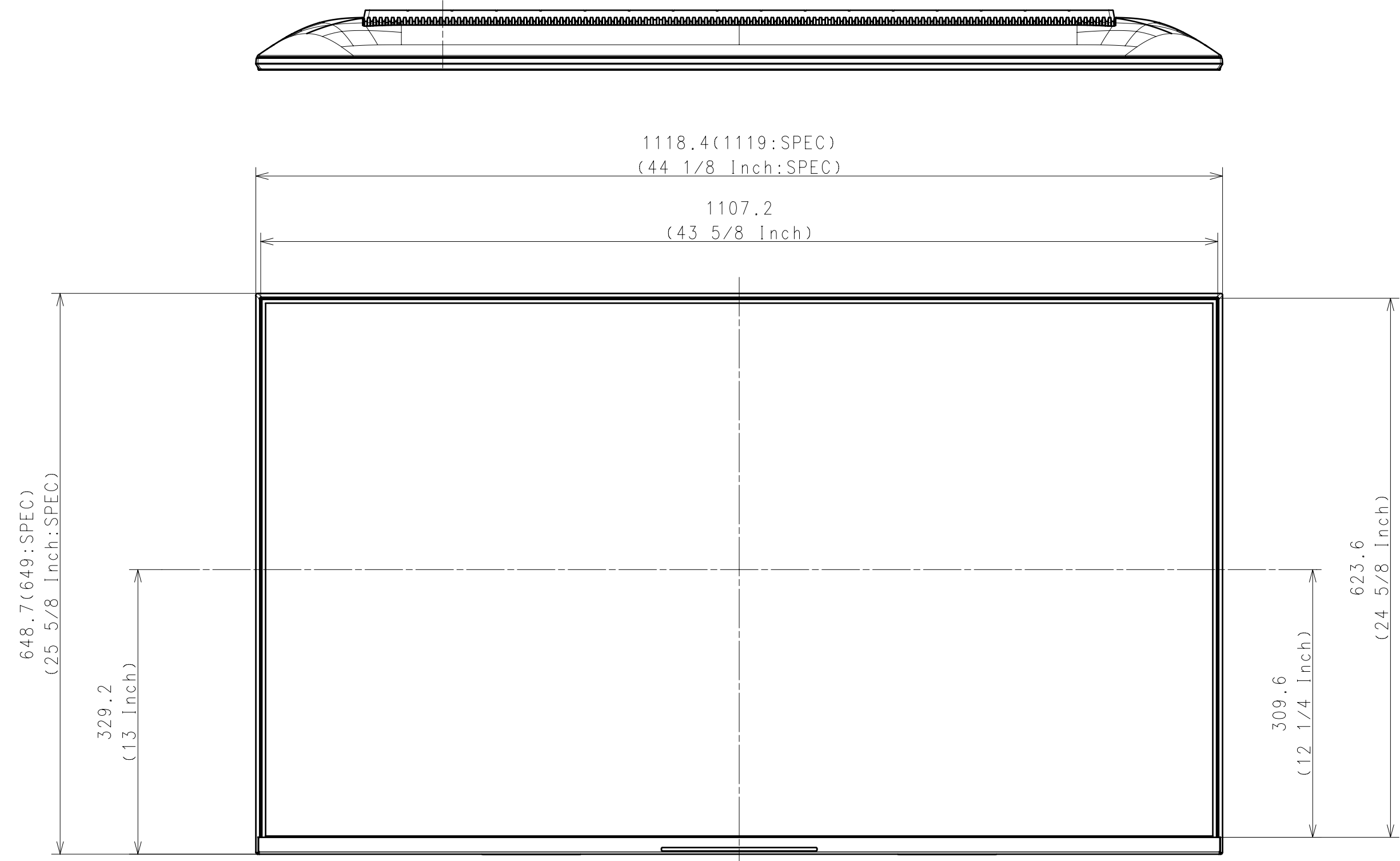


Purchase recycled resins and wire rods only from the business partners that Sony approves as Green Partners.

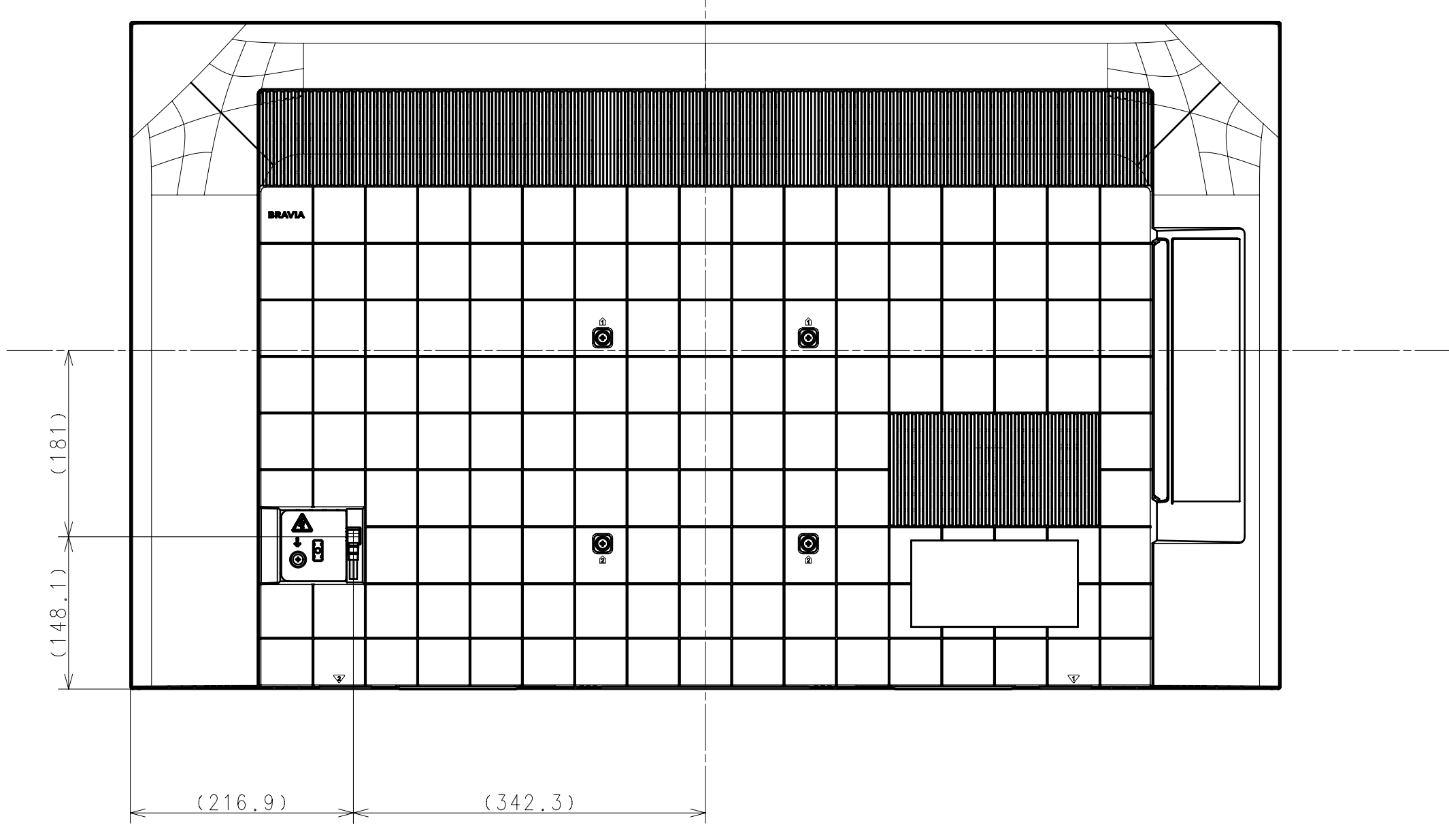
HISTORY	SUFFIX	RELEASE NO.	REVISION	SIGN.	MATERIAL COLOR	FINISH COLOR	DATE OF ISSUE
1							2020.11.03
2							2020.11.03
3							2020.11.03

RESPONSIBLE DEPARTMENT	PLANE & MECHANICAL DESIGN	ORIGINAL MODEL	50(BZ35J) EXTERIOR VIEW
PLANNED BY	KING DSS-MECHA	TENTATIVE MODEL	50(BZ35J) EXTERIOR VIEW
DRAWN BY	KING DSS-MECHA	SCALE	1:5
CHECKED BY		SIZE	A1
APPROVED BY		UNIT	mm
PART NO.		SUFFIX	
REV. NO.		REV. NO.	
SHEET/PAGES		SHEET/PAGES	1/3

WITHOUT STAND



For GENERAL AREA, NORTH AMERICA,
EUROPE, CHINA



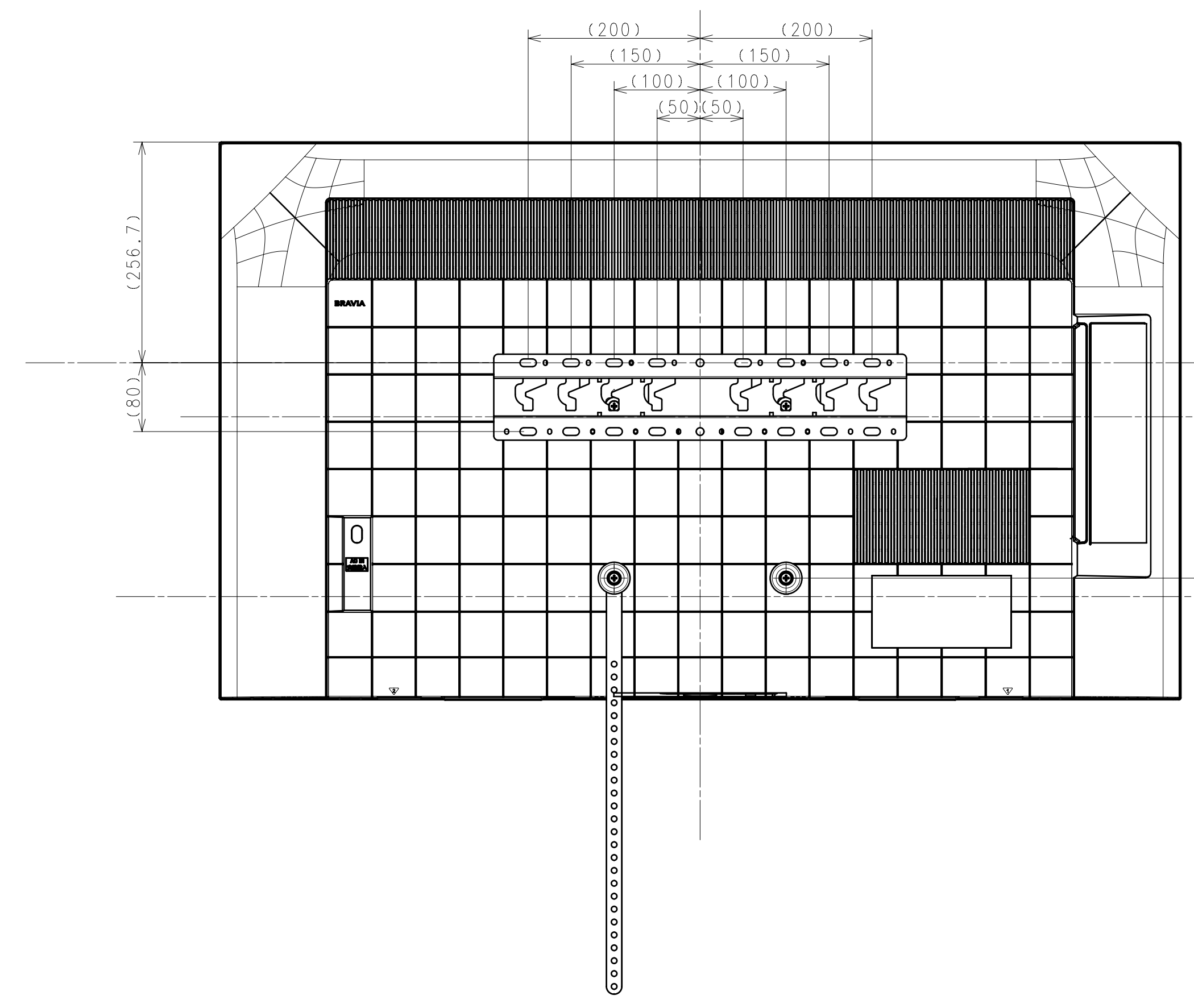
For JAPAN

DESCRIPTION 1	LEGAL OWNER	SCALE
50(BZ35J) EXTERIOR VIEW	Sony Corporation	1:5
DESCRIPTION 2	PART NO.	SHEET/PAGES
50(BZ35J) EXTERIOR VIEW		2 / 3

SU-WL450

STANDARD

SLIM

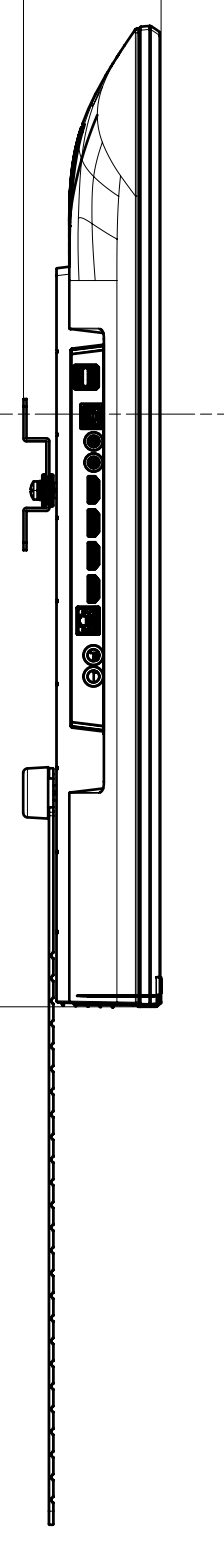
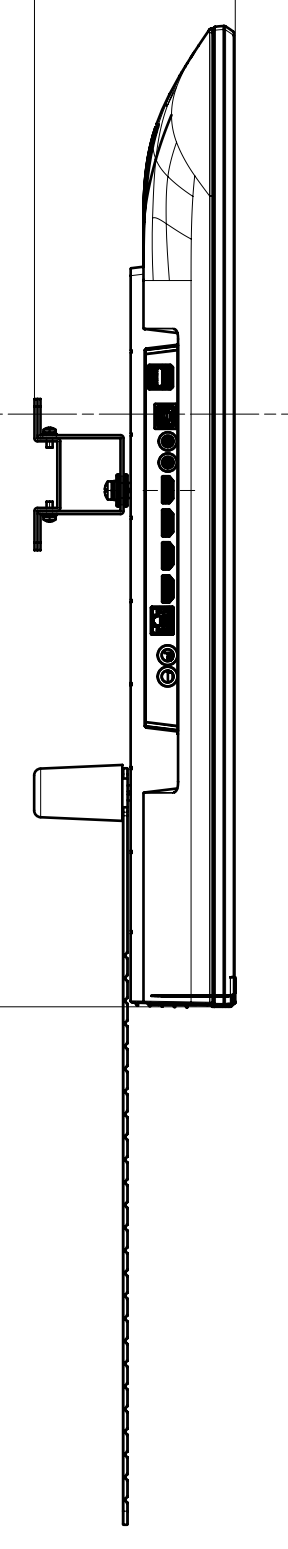


132.8(133:SPEC)
(5 1/4 Inch:SPEC)

91(91:SPEC)
(3 5/8 Inch:SPEC)

391.9(392:SPEC)
(15.1/2 Inch:SPEC)

391.9(392:SPEC)
(15.1/2 Inch:SPEC)



SHARING

SONY STANDARD

DESCRIPTION	LEGAL OWNER	SCALE
50(BZ35J) EXTERIOR VIEW	Sony Corporation	1:5
DESCRIPTION	PART NO.	SHEET/PAGES
50(BZ35J) EXTERIOR VIEW		3/3