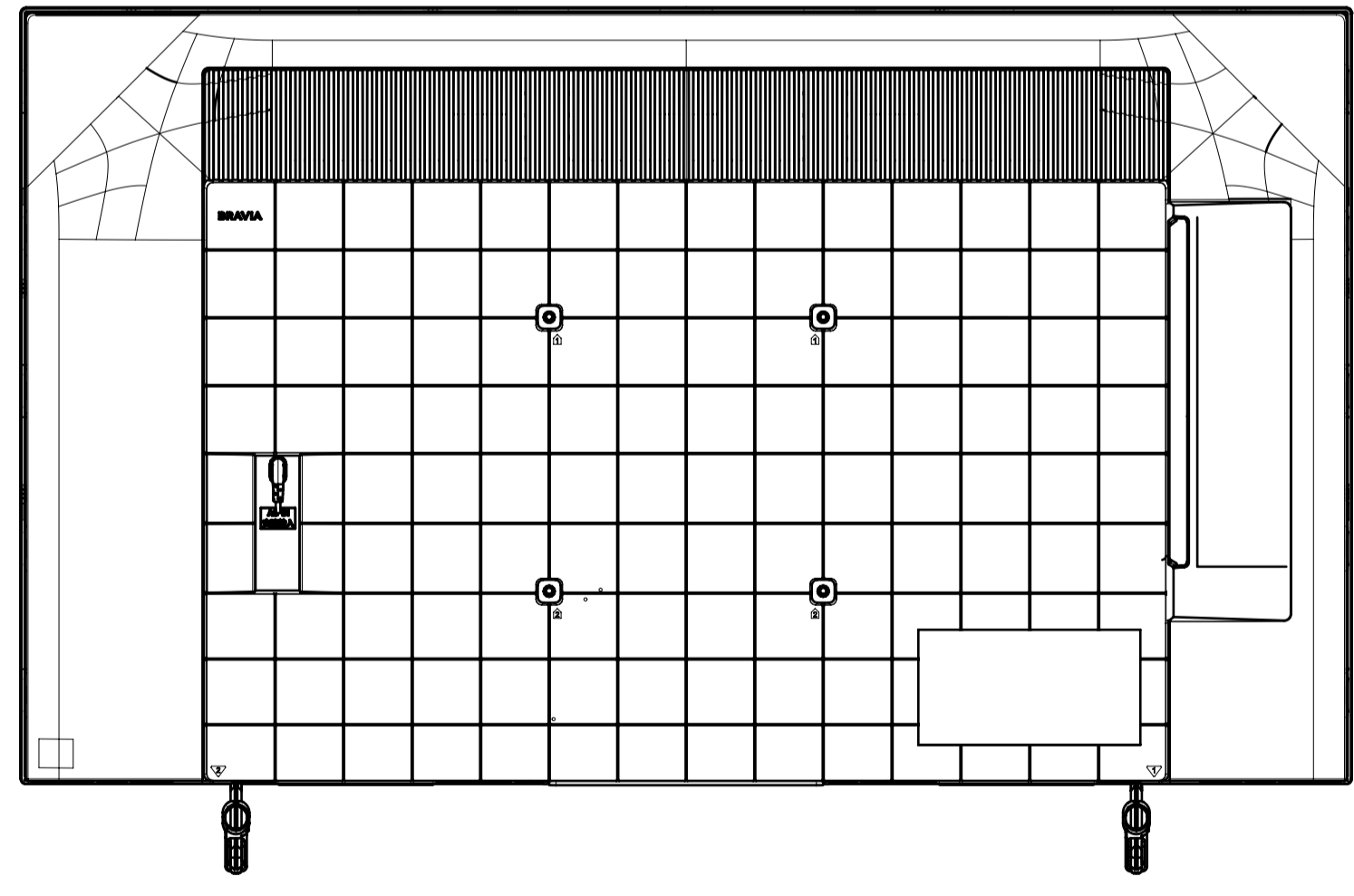
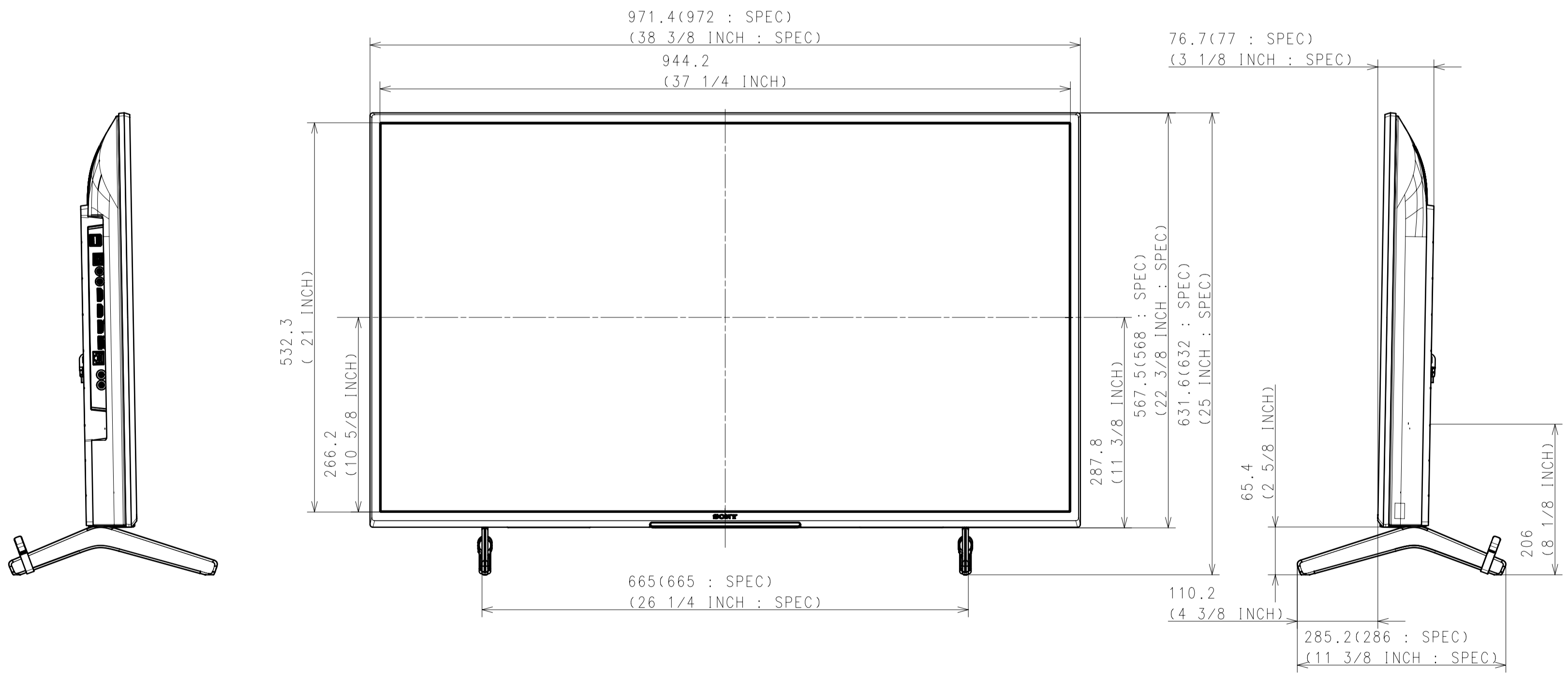
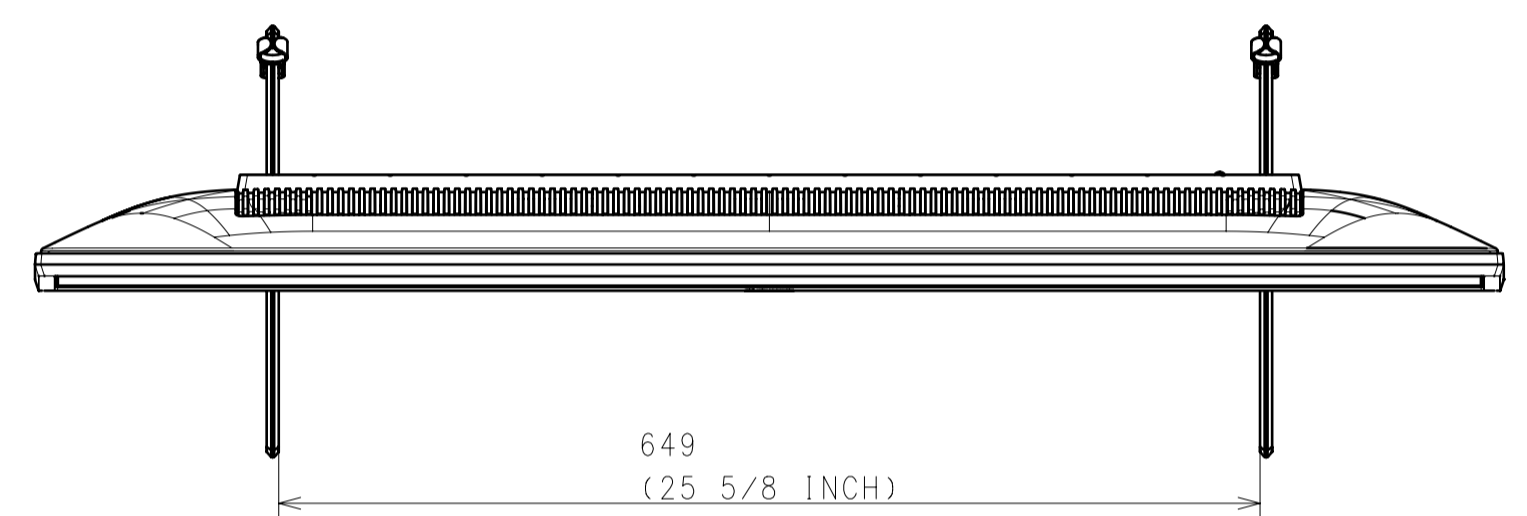
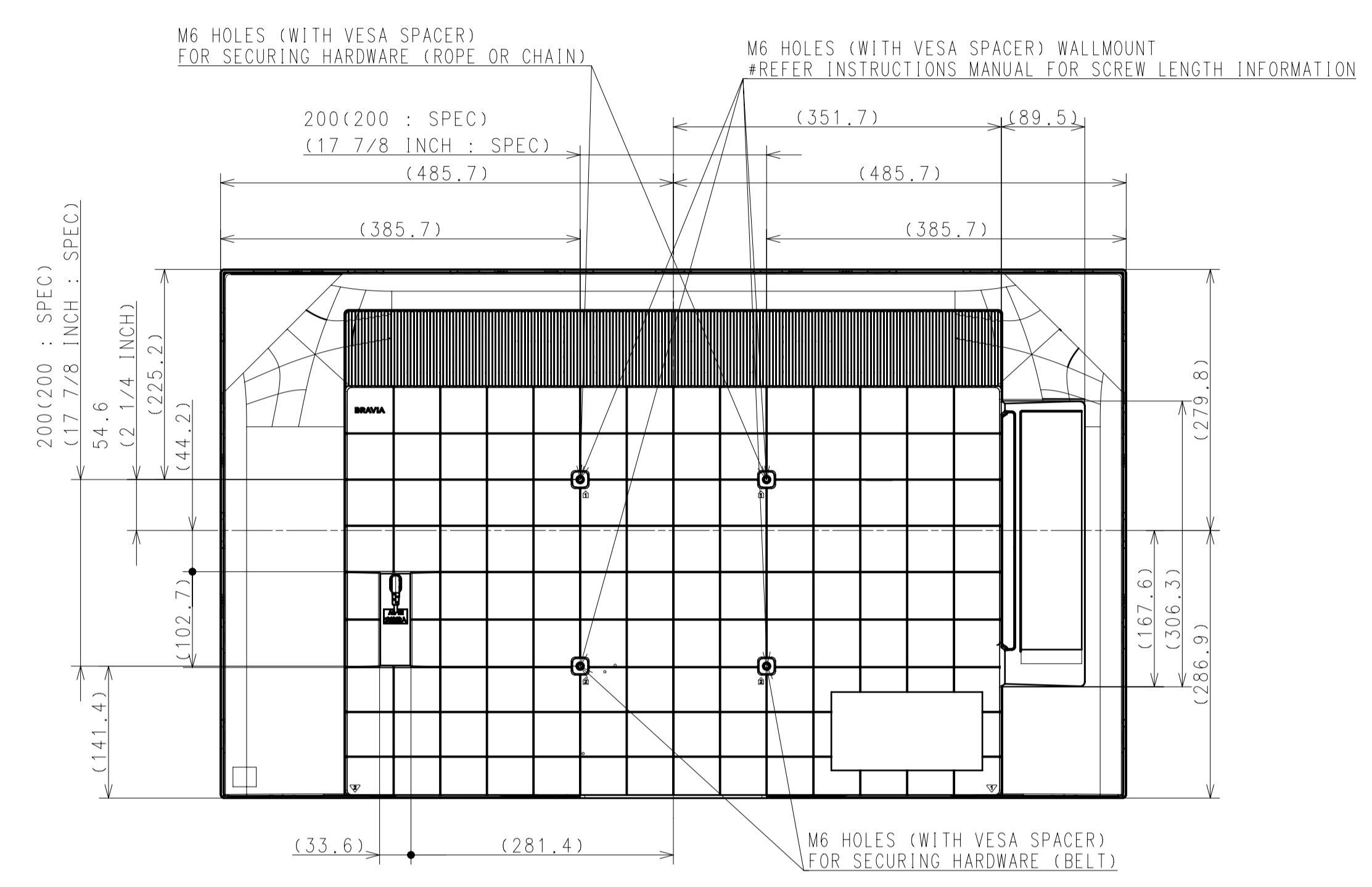
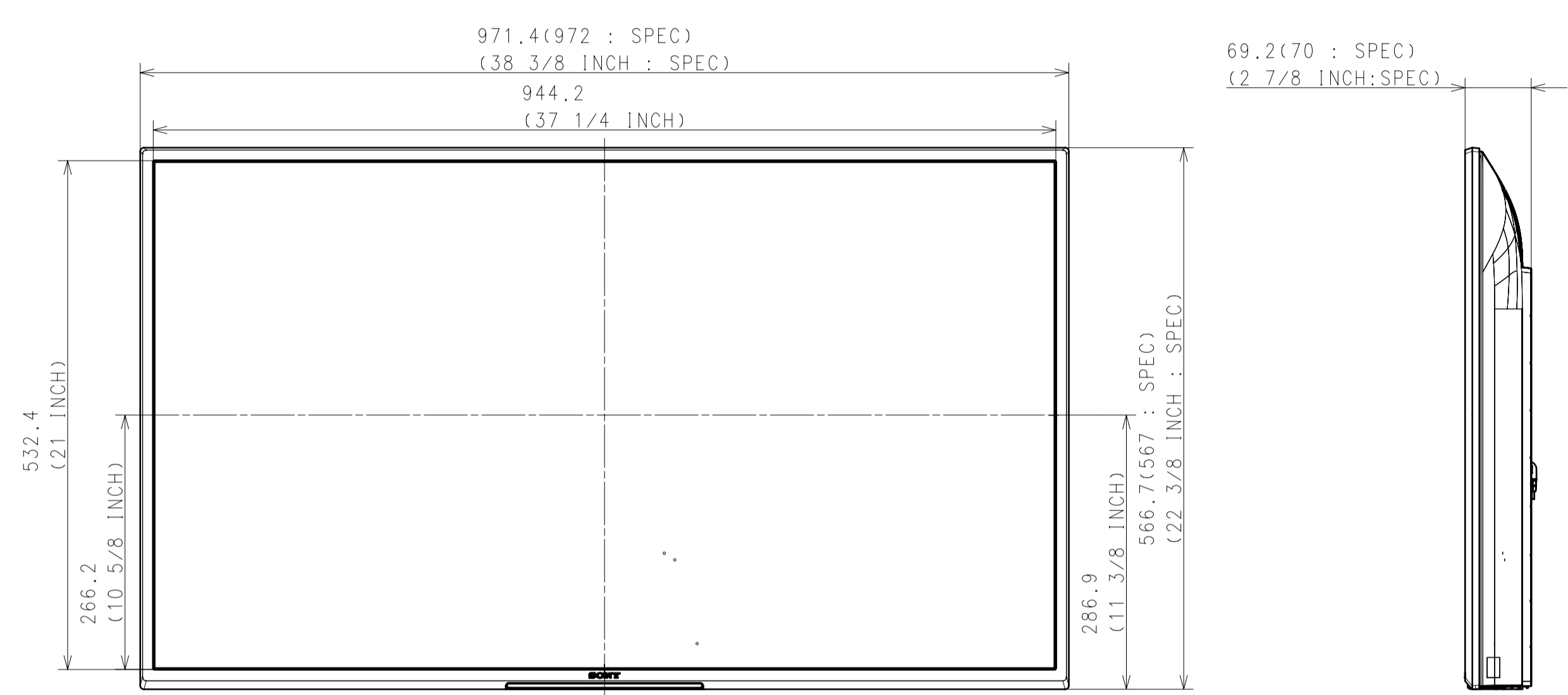
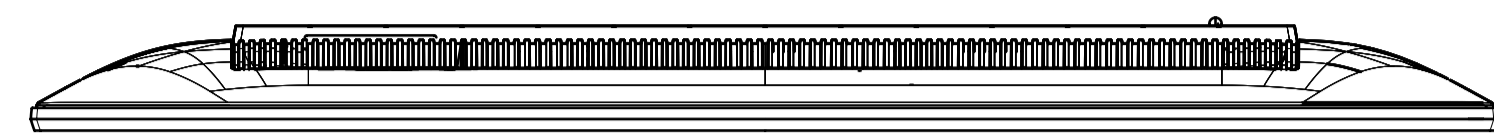


Area		JAPAN	NORTH AMERICA	EUROPE	GENERAL AREA	CHINA
Model Name		FW-43BZ30J	FW-43BZ30J	FW-43BZ30J	FW-43BZ30J	FW-43BU30J
SV No.		SV-39455	SV-39451	SV-39452	SV-39453	SV-39454
DIMENSION	TV only (W x H x D)	97.2 x 56.7 x 7.0 cm	972 x 567 x 70 mm / 38 3/8 x 22 3/8 x 2 7/8 inch	Approx. 97.2 x 56.7 x 7.0 cm	Approx. 972 x 567 x 70 mm	Approx. 972 x 567 x 70 mm
	TV with Stand (Standard position) (W x H x D)	97.2 x 63.2 x 28.6 cm	972 x 632 x 286 mm / 38 3/8 x 25 x 11 3/8 inch	Approx. 97.2 x 63.2 x 28.6 cm	Approx. 972 x 632 x 286 mm	Approx. 972 x 632 x 286 mm
	TV with Stand (Narrow position) (W x H x D)	-	-	-	-	-
	TV with Stand (Soundbar position) (W x H x D)	-	-	-	-	-
	TV with Floor Stand (W x H x D)	-	-	-	-	-
	Stand Width (Standard position)	66.5 cm	665 mm / 26 1/4 inch	Approx. 66.5 cm	Approx. 665 mm	Approx. 665 mm
	Stand Width (Narrow position)	-	-	-	-	-
	Stand Width (Soundbar position)	-	-	-	-	-
	Floor Stand Width	-	-	-	-	-
	VESA Hole Pitch	20.0 x 20.0 cm	200 x 200 mm / 7 7/8 x 7 7/8 inch	20.0 x 20.0 cm	200 x 200 mm	200 x 200 mm
WEIGHT	TV Only	10 kg	10 kg / 22.1 lb	Approx. 10 kg	Approx. 10 kg	Approx. 10 kg
	TV with Stand (Standard position)	10.5 kg	10.5 kg / 23.2 lb	Approx. 10.5 kg	Approx. 10.5 kg	Approx. 10.5 kg
	TV with Stand (Narrow position)	-	-	-	-	-
	TV with Stand (Soundbar position)	-	-	-	-	-
	TV with Floor Stand	-	-	-	-	-
	Floor Stand weight (Supply)	-	-	-	-	-
	W-M't Br. Weight (Supply)	-	-	-	-	-
Remarks		-	-	-	-	-

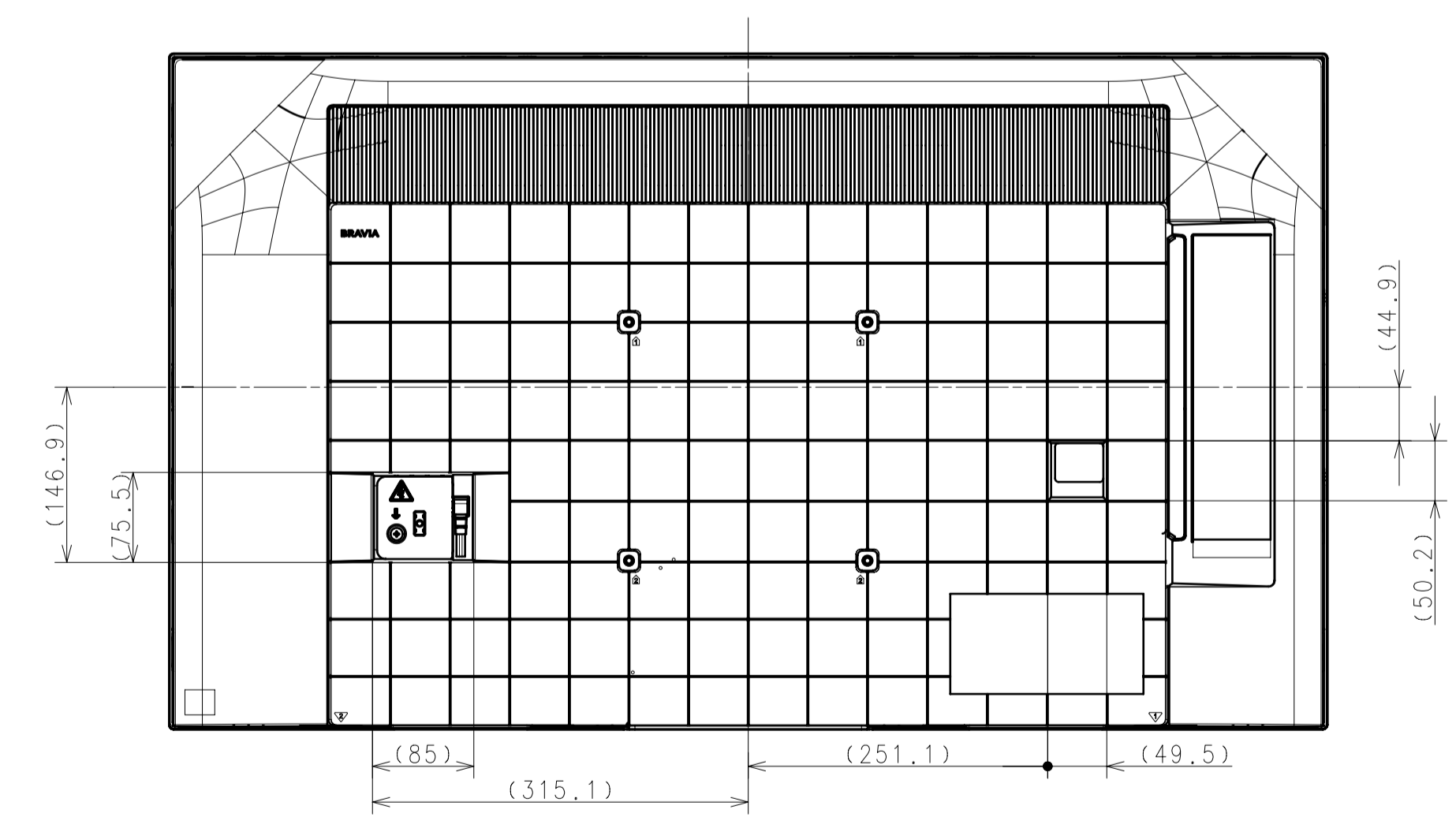


Purchase recycled resins and wire rods only from the business partners that Sony approves as Green Partners.  
再生樹脂・銅線はグリーンパートナー認定者からの調達を促すこと。

△x △y △z △2		HISTORY SUFFIX RELEASE NO. DATE		REVISION		SIGN		GENERAL TOLERANCE		DATE OF ISSUE	
RESPONSIBLE DEPARTMENT Sony Corporation		ORIGINAL MODEL 43(BZ30J) EXTERIOR VIEW		TENTATIVE MODEL 43(BZ30J) EXTERIOR VIEW		DESCRIPTION 43(BZ30J) EXTERIOR VIEW		MATERIAL COLOR		FINISH COLOR	
PLANNED BY		CHECKED BY		APPROVED BY		SCALE 1:5		SIZE A1		SHEET/PAGES 1/3	
DRAWN BY		SIZE A1		UNIT mm		PART NO.		SUFFIX		REV. NO.	



FOR. GENERAL AREA



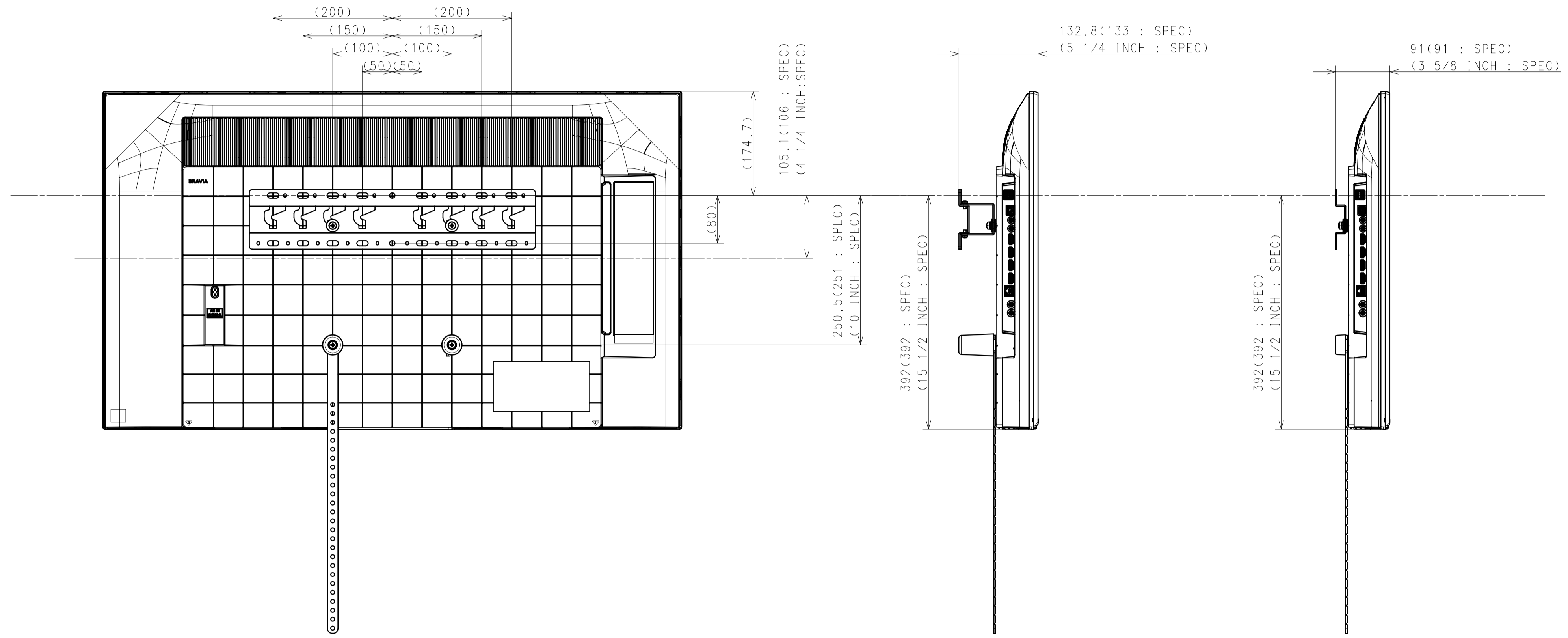
FOR. JAPAN

DESCRIPTION1 43(BZ30J) EXTERIOR VIEW	LEGAL OWNER Sony Corporation	SCALE 1:5
DESCRIPTION2 43(BZ30J) EXTERIOR VIEW	PART NO.	SHEET/PAGES 2 / 3

SU-WL450

STANDARD

SLIM



DRAWING

SONY STANDARD

DESCRIPTION/1	LEGAL OWNER	SCALE
43(BZ30J) EXTERIOR VIEW	Sony Corporation	1:5
DESCRIPTION/2	PART NO.	SHEET/PAGES
43(BZ30J) EXTERIOR VIEW		3 / 3