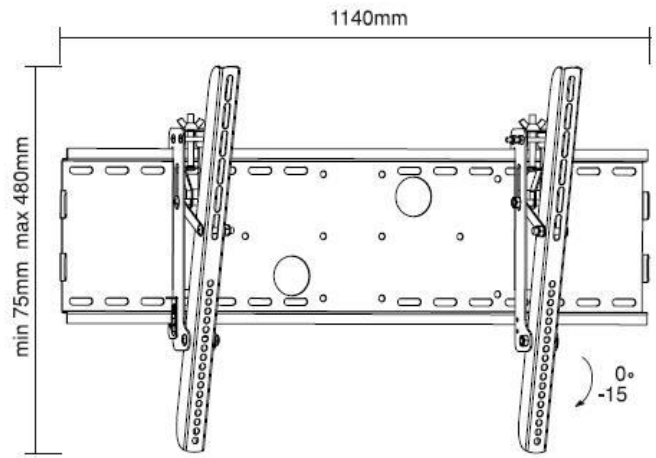
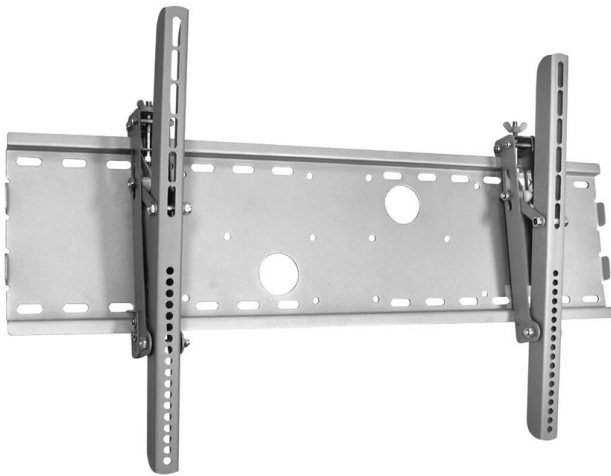


## reflecta PLANO Flat 71-15



### Product information:

- Universal wall mount for TVs
- Max loading weight 75 kg
- 52 – 71“ (132 -180 cm)
- Vesa: max 800x400
- Distance to wall: 84 mm
- Tilt: -15°
- Stable and solid design

Code: 23085  
 EAN: 4005039230851

Specifications subject to change without notice.



**reflecta gmbh**

Merkurstrasse 8  
 D 72184 Eutingen

Phone: +49 (0) 7457 9465-60

Fax: +49 (0) 7457 9465-72

e-mail: [mail@reflecta.de](mailto:mail@reflecta.de)

http: [www.reflecta.de](http://www.reflecta.de)