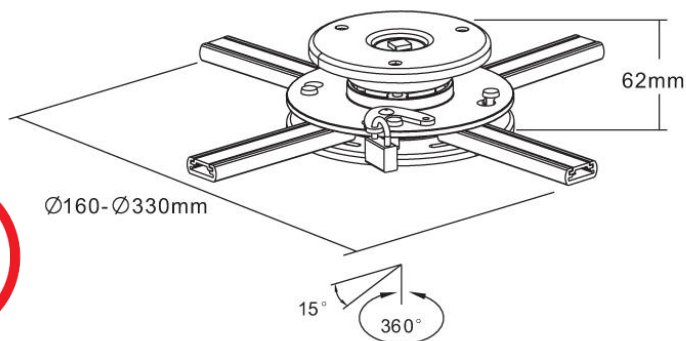


reflecta Perseus



Product information:

- Universal ceiling mount for video projectors
- Condition as supplied to customer: pre-assembled for quick and easy installation
- Max loading weight 20 kg
- Fixed height of 62 mm
- Tilt $\pm 15^\circ$
- 360° Rotation
- Anti-theft system

Art.Nr.: 23065
EAN: 4005039230653

Specifications subject to change without notice



reflecta gmbh
Merkurstrasse 8
D 72184 Eutingen
Phone: +49 (0) 7457 9465-60
Fax: +49 (0) 7457 9465-72
e-mail: mail@reflecta.de
http: www.reflecta.de