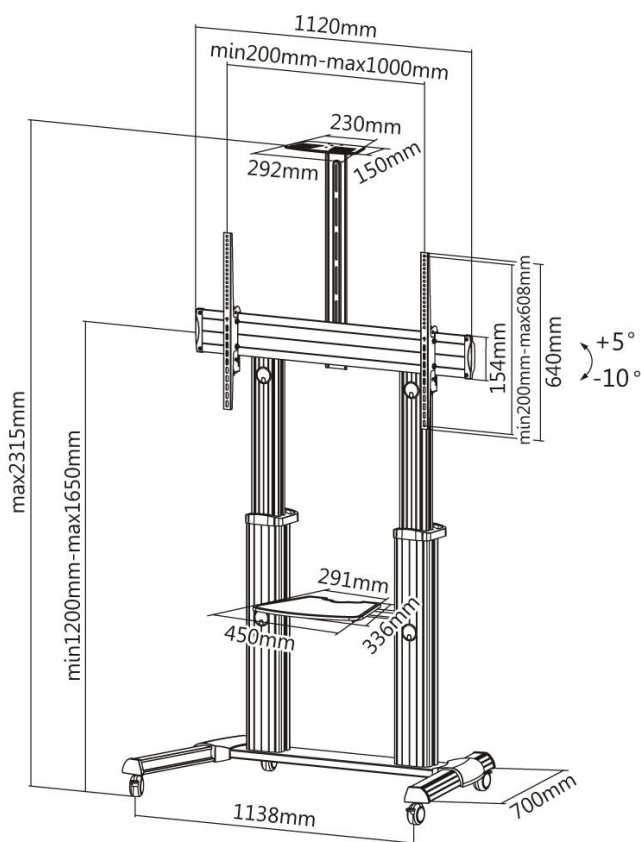


## reflecta TV Stand 100VC-Shelf



### Product information:

- Universal TV Stand for Video Conferencing
- Max loading weight 80 kg
- Height adjustable (TV, Shelf, camera holder)
- 60"-100" (152-254 cm)
- Vesa: max. 1000x600
- Tilt: +5°/-10°
- Elegante aluminium construction
- Cable management

Code: 23211

Specifications are subject to change without notice

**reflecta gmbh**  
 Merkurstrasse 8  
 D 72184 Eutingen  
 Phone: +49 (0) 7457 9465-60  
 Fax: +49 (0) 7457 9465-72  
 e-mail: [mail@reflecta.de](mailto:mail@reflecta.de)  
 http: [www.reflecta.de](http://www.reflecta.de)